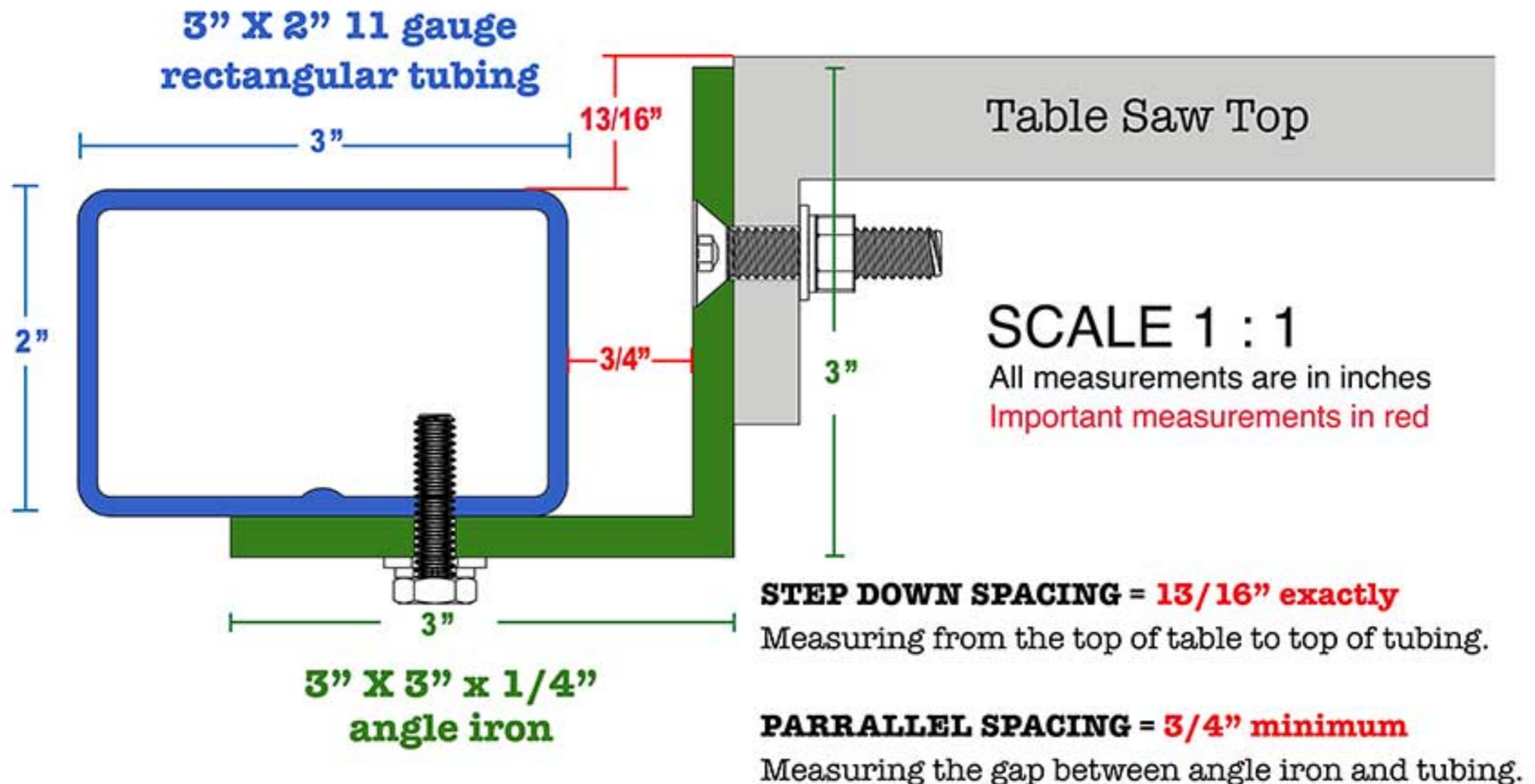


Guide Rail Specs For Option #1

Guide Rail attached to table using countersunk bolts
Also known as **Biesemeyer – style** table saw guide rails



Visit VerySuperCoolTools.com for FREE step by step instructions and demos on building your own table saw guide rails.

Review photos, watch videos or download a pdf with all the information you need to upgrade your table saw.

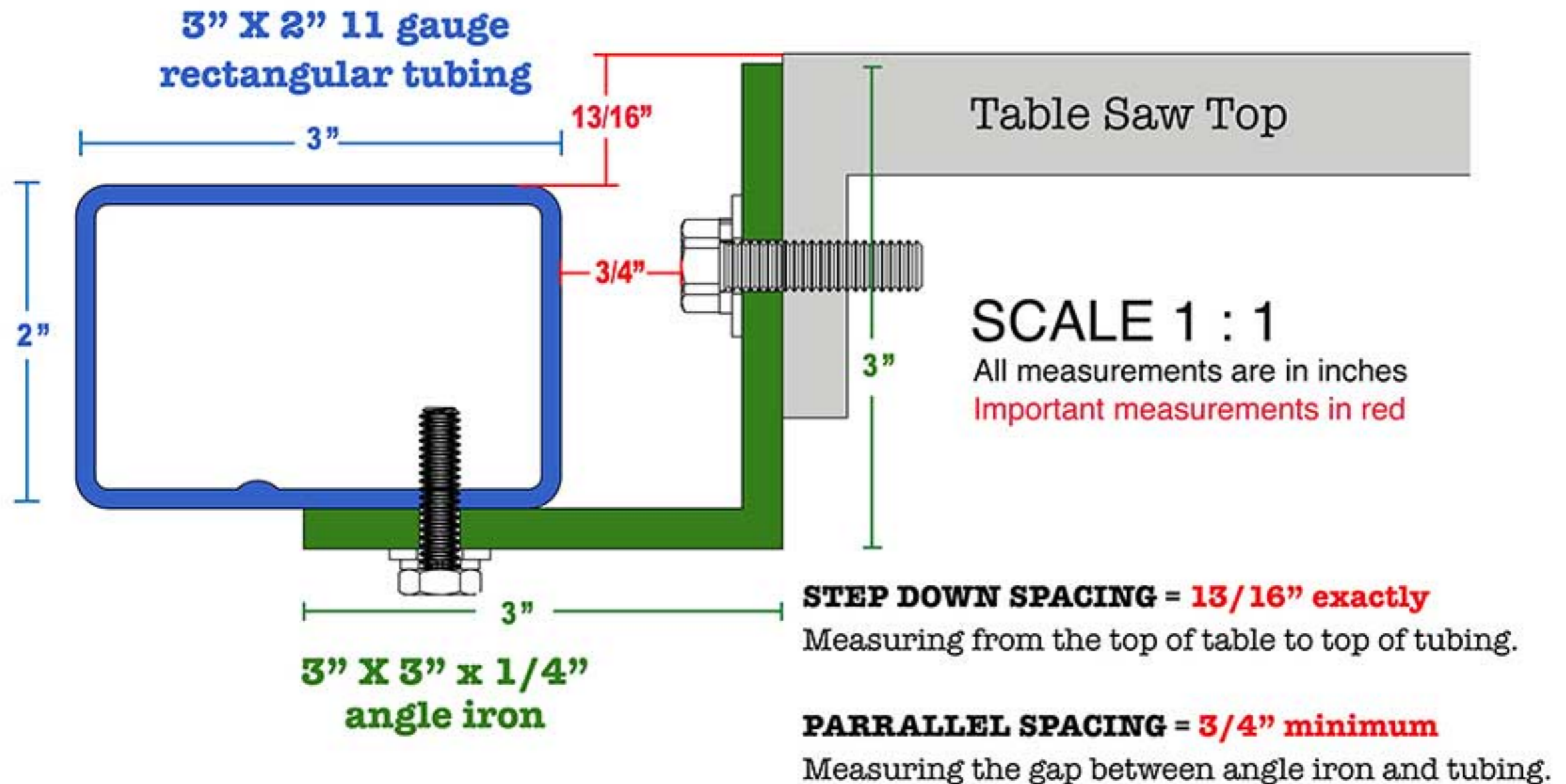
VerySuperCool Tools sells t-square table saw fences for table saws, including sliding table saws, band saws and router tables.

Call 1-512-537-5255 or email verysupercooltools@gmail.com for more information.

Guide Rail Specs For Option #2

Guide Rail attached to table using hex bolts

Also known as **Biesemeyer – style** table saw guide rails



Visit VerySuperCoolTools.com for FREE step by step instructions and demos on building your own table saw guide rails.

Review photos, watch videos or download a pdf with all the information you need to upgrade your table saw.

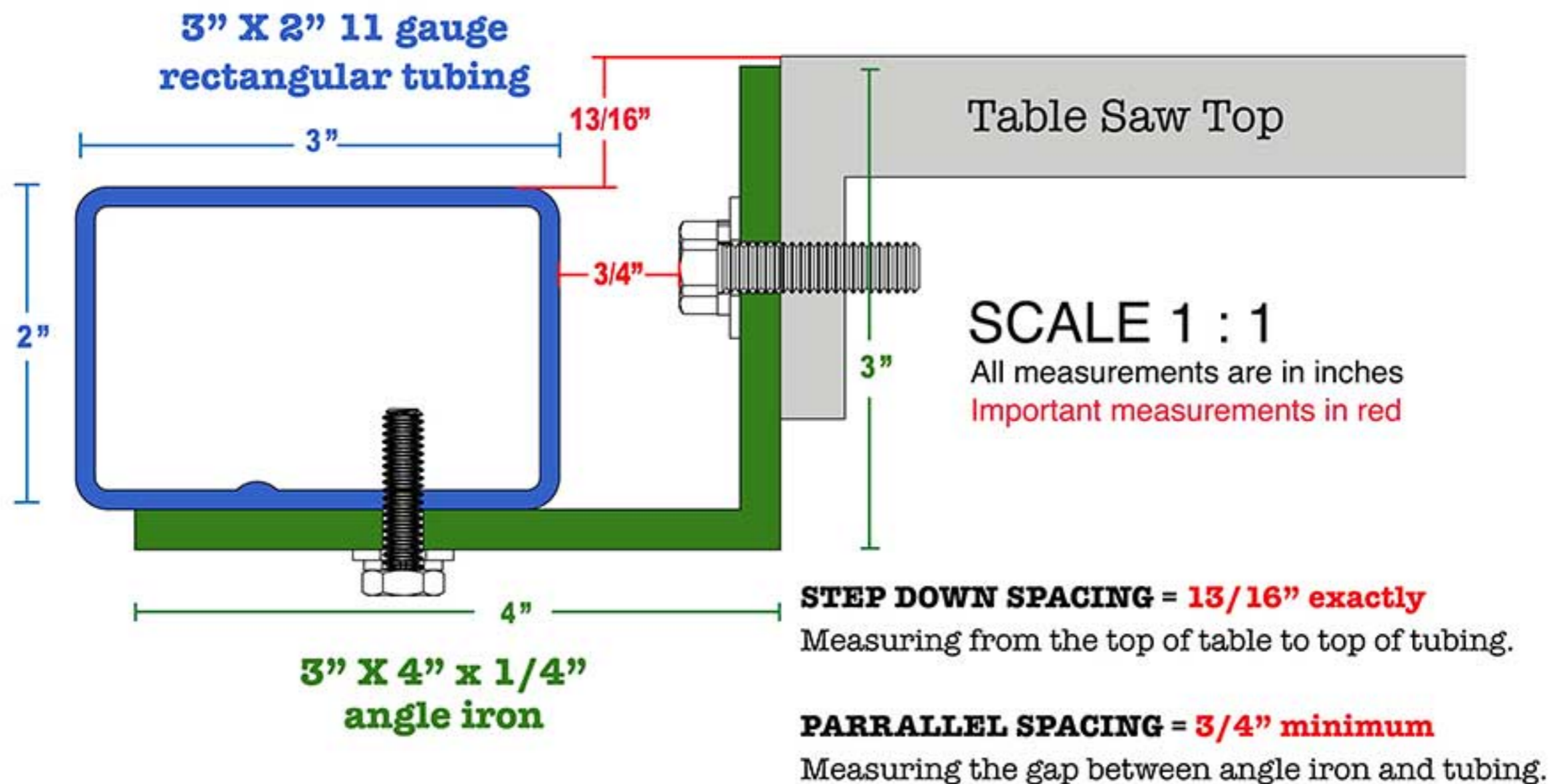
VerySuperCool Tools sells t-square table saw fences for table saws, including sliding table saws, band saws and router tables.

Call 1-512-537-5255 or email verysupercooltools@gmail.com for more information.

Guide Rail Specs For Option #3

Guide Rail attached to table using hex bolts

Also known as **Biesemeyer – style** table saw guide rails



Visit VerySuperCoolTools.com for FREE step by step instructions and demos on building your own table saw guide rails.

Review photos, watch videos or download a pdf with all the information you need to upgrade your table saw.

VerySuperCool Tools sells t-square table saw fences for table saws, including sliding table saws, band saws and router tables.

Call 1-512-537-5255 or email verysupercooltools@gmail.com for more information.